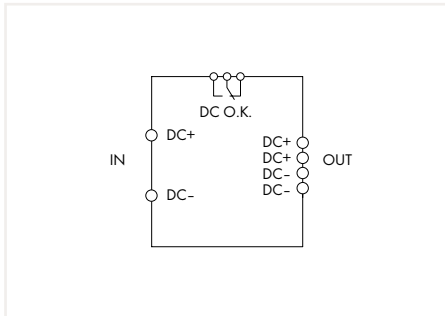


Capacitive Buffer Module; 24 VDC / 20 A 787 Series

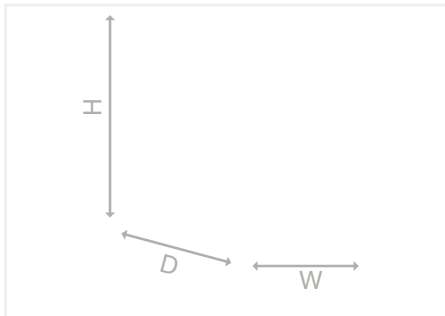


Similar to picture



Capacitive Buffer Module; Input voltage: 24 VDC;
Output voltage: 24 VDC; Output current: 20 A; Buffer
time: 0.17 ... 16.5 s; communication-capable

	Item No.	Pack. Unit
	787-881	1



Features:

- Capacitive buffer module bridges short duration voltage drops or load fluctuations
- For uninterruptible power supply
- Internal diode between input and output enables operation with decoupled output.
- Buffer modules can be readily parallel-connected to increase buffer time or load current.
- Potential-free contact for charge condition monitoring

Input	
Nominal input voltage $U_{i, \text{nom}}$	24 VDC
Input voltage range	20 ... 30 VDC
Input current I_i	≤ 0.06 A (no load running); ≤ 1 A (charging); ≤ 22 A
Output	
Nominal output voltage $U_{o, \text{nom}}$	24 VDC
Output voltage range	$U_i - 1$ VDC (rated operation); 20.4 ... 24 VDC (buffer mode)
Nominal output current $I_{o, \text{nom}}$	20 A
Switch-on threshold (adjustable)	20 ... 24 VDC
Energy Storage Systems	
Buffer time	0.17 ... 16.5 s (depends on load current and switch-on threshold)
Switch-on threshold (adjustable)	20 ... 24 VDC
Charging time (typ.)	5 min
Signaling and Communication	
Signaling	1 x LED DC OK (green); 1 x LED Charge (yellow); 1 x LED DC not OK (red); 1 x isolated relay contact (max. 30 VDC, 1 A)
Efficiency/Power Losses	
Power loss P_i	≤ 1.5 W (no load); ≤ 15 W (nominal load)
Safety and Protection/Environmental Requirements	
Isolation voltage (connectors – housing)	500 VDC
Protection class/protection type	III / IP20 (per EN 60529)
Reverse voltage protection	Yes
Parallel operation/series operation	Yes/no
MTBF	typ. 87,600 h (at +25 °C); typ. 30,500 h (at +40 °C)
Surrounding air temperature (operation)	-10 ... +50 °C
Relative humidity	5 ... 96 % (no condensation permissible)
Pollution degree	2
Connection Data	
Connection technology	CAGE CLAMP®
Input/output (solid/fine-stranded/AWG)	0.5 ... 10 mm ² / 0.5 ... 10 mm ² / 20 ... 8 AWG
Relay (solid/fine-stranded/AWG)	0.08 ... 2.5 mm ² / 0.08 ... 2.5 mm ² / 28 ... 12 AWG
Geometric Data/Mechanical Data/Material Data	
Width x height x depth (mm)	57 x 181 x 179; depth from upper-edge of DIN-rail
Mounting type	DIN-35 rail (EN 60715)
Weight	1000 g
Standards and Specifications	
Approvals/standards/specifications	CE; EN 60950; UL 508; EN 61000-6-2; EN 61000-6-3